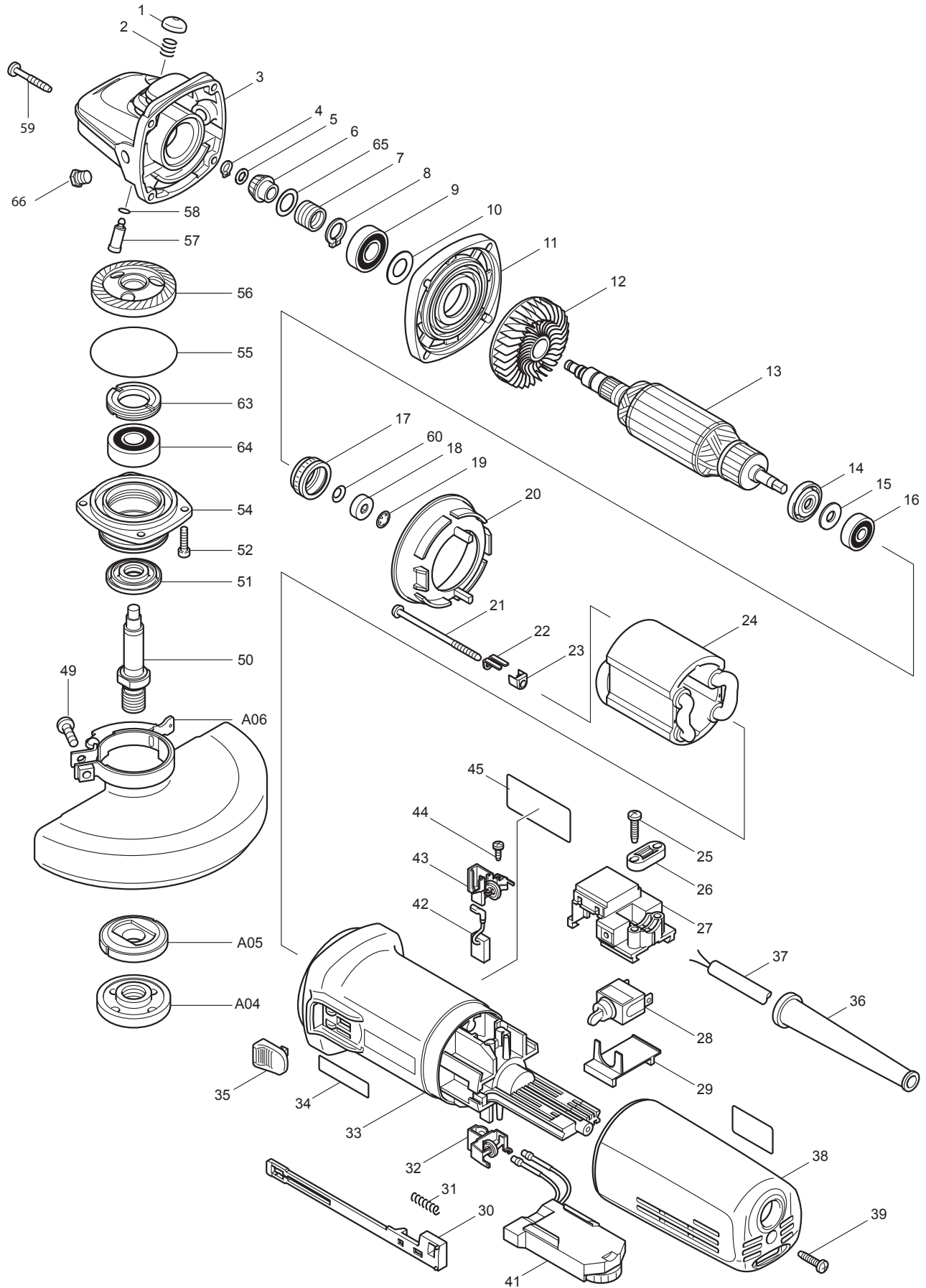




02 - 2013

9566CV

6" ANGLE GRINDER (5/8" - 11UNC)



Item No	Type	Ref	Part No	Description	Qty	Unit
1	2		418067-8	* PIN CAP	1	PC.
2			233072-2	COMPRESSION SPRING 8	1	PC.
3	3		153488-4	* GEAR HOUSING COMPLETE	1	PC.
4			961002-0	RETAINING RING S-6	1	PC.
5			253077-6	FLAT WASHER 6	1	PC.
6			227429-7	SPIRAL BEVEL GEAR 9	1	PC.
7			233901-9	LOCK SPRING 12	1	PC.
8			961052-5	RETAINING RING S-12	1	PC.
9			211142-7	BALL BEARING 6001LLB	1	PC.
10			253084-9	FLAT WASHER 12	1	PC.
11			317359-1	GEAR HOUSING COVER	1	PC.
12			240033-5	FAN 57	1	PC.
13	2		515331-9	ARMATURE ASS'Y 115V - N/L/A	1	PC.
		INC.		Item No. 12,14-16		
	3		518159-4	ARMATURE ASS'Y 115V	1	PC.
		INC.		Item No. 12,14-16		
14			681656-4	INSULATION WASHER	1	PC.
15			253823-7	FLAT WASHER 7	1	PC.
16			210027-4	BALL BEARING 627DDW	1	PC.
17			421738-8	LABYRINTH RUBBER RING 22	1	PC.
18			688117-5	MAGNET SLEEVE	1	PC.
19			259039-2	SELF LOCK 6	1	PC.
20			413076-2	BAFFLE PLATE	1	PC.
21			266258-3	TAPPING SCREW 4X70	2	PC.
22			344871-8	RETAINER	2	PC.
23			417237-6	INSULATION COVER	2	PC.
24			626501-6	FIELD 115V	1	PC.
25			265995-6	TAPPING SCREW 4X18	2	PC.
26			687063-9	CORD CLAMP	1	PC.
27			632999-7	SWITCH BLOCK	1	PC.
28			651418-4	SWITCH ST115A-40	1	PC.
29			687113-0	COVER	1	PC.
30			417186-7	SWITCH LEVER	1	PC.
31			233071-4	COMPRESSION SPRING 4	1	PC.
32			643760-7	BRUSH HOLDER	1	PC.
33	2		153775-1	MOTOR HOUSING COMPLETE (OLD# 418512-3)	1	PC.
		INC.	810341-4	CAUTION LABEL	1	PC.
35			417813-6	SWITCH KNOB	1	PC.
36			682566-8	CORD GUARD 10	1	PC.
37			664265-4	CORD WITH PLUG 2P-16-2.5M SJ	1	PC.
38	1		417185-9	REAR COVER	1	PC.
	2		158193-8	REAR COVER COMPLETE	1	PC.
	3		158315-0	REAR COVER COMPLETE	1	PC.
39			265995-6	TAPPING SCREW 4X18	1	PC.
40			816807-2	INDICATION LABEL	1	PC.
41			631493-6	CONTROLLER	1	PC.
42	3		195396-3	A.C. CARBON BRUSH CB-336 2PC/SET (W/ ORIGIN)	1	SET
	4		196454-8	A.C. CARBON BRUSH CB-340 2PC/SET (W/ ORIGIN)	1	SET
43			643760-7	BRUSH HOLDER	1	PC.
44			266256-7	TAPPING SCREW PT3X10	4	PC.
49			251391-4	PAN HEAD SCREW M5X16 (F/Item No. A06)	1	PC.
50			324038-4	SPINDLE	1	PC.
51			415300-9	LABYRINTH RING	1	PC.

Item No	Type	Ref	Part No	Description	Qty	Unit
52			265490-6	HEX. SOCKET HEAD BOLT M4X16	4	PC.
54	1		317570-5	* BEARING BOX	1	PC.
	2		318302-3	* BEARING BOX	1	PC.
55			213673-2	O RING 52	1	PC.
56			227430-2	SPIRAL BEVEL GEAR 35	1	PC.
57			256459-1	PIN	1	PC.
58			213048-5	O RING 6	1	PC.
59			266257-5	TAPPING SCREW 4X28	4	PC.
60			267756-0	WAVE WASHER 6	1	PC.
63			285841-7	BEARING RETAINER	1	PC.
64			211129-9	BALL BEARING 6201DDW	1	PC.
65			253052-2	FLAT WASHER 12	1	PC.
66			265083-9	(+) FLAT HEAD SCREW M8X11 (F/GEAR HOUSING COM.)	1	PC.

ACCESSORIES

***See catalogue or visit www.makita.ca for more optional accessories.**

A01			153489-2	GRIP 36 COMPLETE (OLD# 152490-4 - N/L/A)	1	PC.
A02			782412-6	LOCK NUT WRENCH 28	1	PC.
A03			724117A25	6" THIN CUT-OFF WHEEL, 25PC/SET	1	PC.
A04			224574-9	LOCK NUT 5/8-48	1	PC.
A05			224390-9	INNER FLANGE 48	1	PC.
A06	1		165342-0	CUT OFF WHEEL COVER F/6" (Use with Item No.49 Screw #251391-4)	1	PC.
	2		165486-6	CUT OFF WHEEL COVER F/6" (Use with Item No.49 Screw #251391-4)	1	PC.
A07			743016-9	RUBBER PAD	1	PC.
A08			417322-5	HEAD COVER	1	PC.
A09			195446-4	DUST COVER SCREEN ATTACHMENT SET	1	PC.
A10			135110-5	TOOLLESS WHEEL COVER ASSY F6"	1	PC.

SERVICE CHANGES

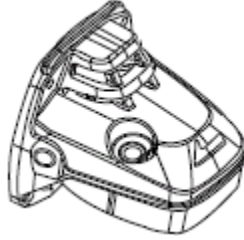
1. Changes on Gear Housing Complete and Pin Cap.

(T/I# 76564)

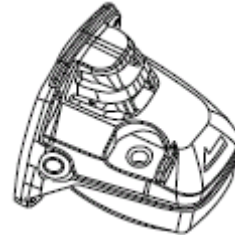
Item No.	Description	Type1	Type2	Type3
1	Pin Cap	417236-8		418067-8
3	Gear Housing Com.	153381-2 (N/L/A)	153718-3(N/L/A)	153488-4

Above parts are completely interchangeable as a set.

Type1&2



Type3



2. Changes on Bearing Box

(T/I# 80668)

Item No.	Description	Type1	Type2
54	Bearing Box	317570-5	318302-3

